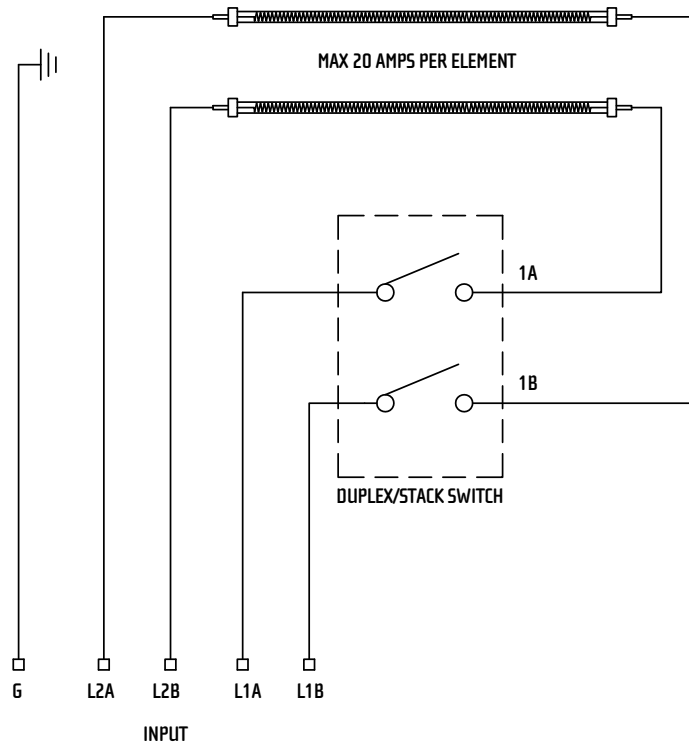


DUPLEX/STACK SWITCH WIRING

120/277 VAC 20 AMP PER SWITCH

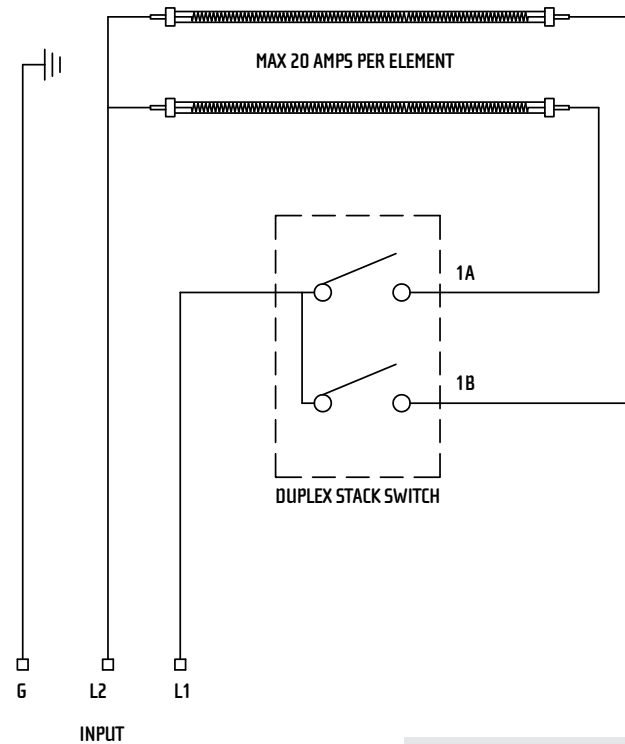
5 WIRE APPLICATION

CONNECTIONS TO BE
MADE IN J-BOX



3 WIRE APPLICATION

CONNECTIONS TO BE
MADE IN J-BOX



SCALE: N/A

NOTES:

- Replace L2 with Neutral for 120 & 277 VAC Applications
- Two single pole single throw (DPST) switches
- Recommended not to exceed:
120 VAC = 1,800 watts max per switch;
208/220 VAC = 3,000 watts max per switch;
240/277 VAC = 4,000 watts max per switch
- 20 amps max per pole